

INTRODUCING

The NEW Slimline® Jet Collection



SlimlineJets

The latest in our NEW Hydromassage bath jets

- All stainless steel
- Easy to install and service
- NEW stylish look and modern design
- NEW flush to the shell and unobtrusive
- NEW ultra low profile and smooth to the touch



BALBOA
water group

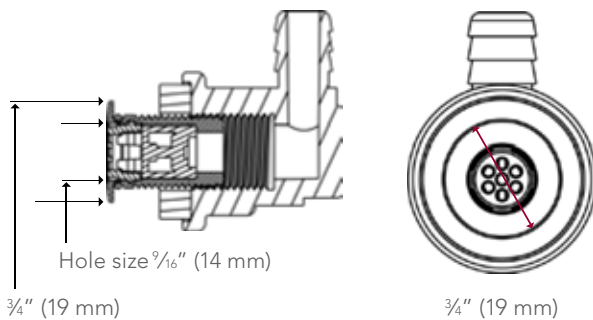
SLIMLINE® JET COLLECTION

Slimline Air Massage

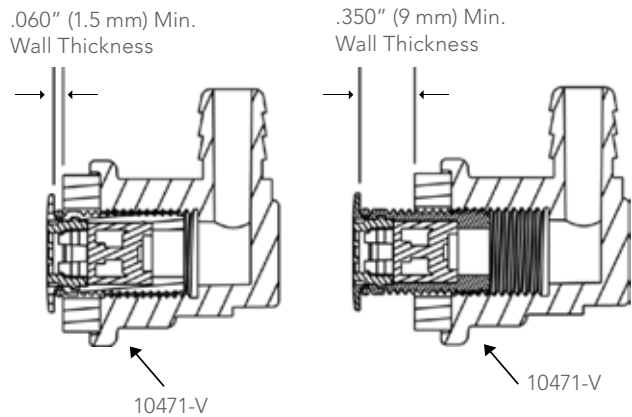
Balboa Water Group proudly introduces the latest in our NEW Hydromassage bath jet collection. our **Air Massage** Among the many attractive features of Balboa's newest Air Massage collection are the stylish looks and modern designs. The jets are truly low profile. They're flush and unobtrusive. The ultra low profile is smooth to the touch and aesthetically pleasing.



Size Measurements



Minimum and Maximum Bath Tub Wall Thickness



SLIMLINE® JET COLLECTION

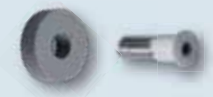
Slimline Air Massage



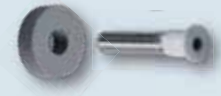
10473-V
Air jet elbow
3/8" barb



10474-V
Air jet tee
3/8" barb



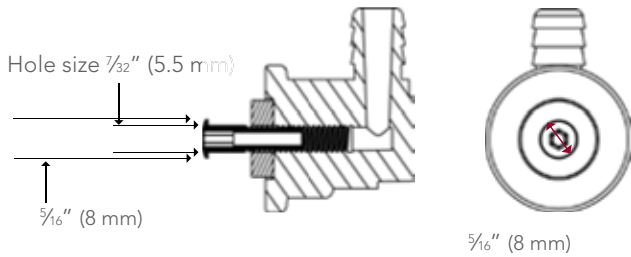
13468-PC
Air jet, 1/16" (17.5 mm),
thread length 1/16"
(17.5 mm) include gasket



13468L-PC
Air jet, 1/16" (17.5 mm),
thread length 1 1/8"
(41 mm) include gasket

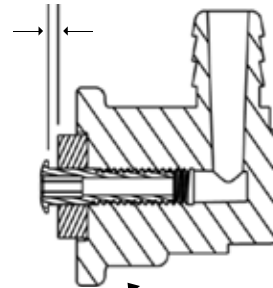
Tool Use: Standard 3/32" hex wrench

Size Measurements



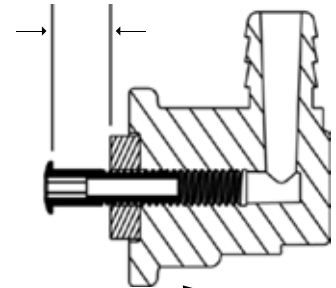
Minimum and Maximum Bath Tub Wall Thickness

.060" (1.5 mm) Min.
Wall Thickness



10473-V

.350" (9 mm) Min.
Wall Thickness



10473-V

SLIMLINE® JET COLLECTION

Slimline Micro Back Jet

Balboa Water Group proudly introduces the latest in our NEW Hydromassage bath jet collection: our **Slimline Micro Back Jet**.

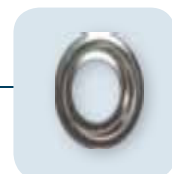
The Micro Back Jet functions mainly as a source to help soothe a specific area used for the back. It is simple, functional, and effective.



23834-V
1/4" Orif elbow x 3/4" barb



202209
Jet Body Micro
3/8" Barb x 1/2" OD



282201-PC
Micro Back Jet Stamp
Metal Escutcheon



202201-PC
Micro Jet Front
Chrome 1 1/2"

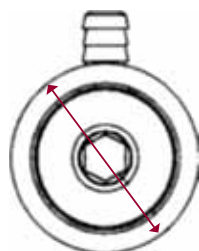
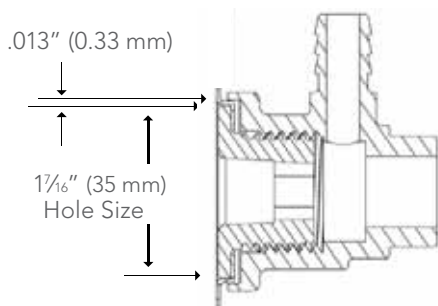
- 23835-V**
1/4" Orif elbow x 1/2" barb
- 23836-V**
1/4" Orif elbow LH x 1/2" barb
- 23838**
1/4" Orif elbow RH x 1/2" barb
- 23835M**
1/4" Orif tee x 20 mm

Other sizes available, check with your sales representative for more information.

Tool Use: Standard 3/8" hex wrench

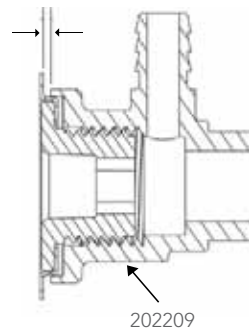
Minimum and Maximum Bath Tub Wall Thickness

Size Measurements



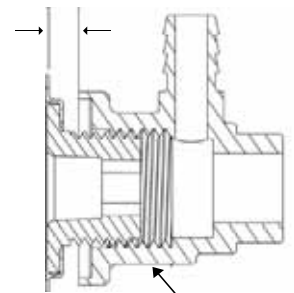
1 3/4" (44.5 mm)

.060" (1.5 mm) Min.
Wall Thickness



202209

.230" (5.8 mm) Min.
Wall Thickness



202209

SLIMLINE® JET COLLECTION

Slimline Flow-Adjustable Directional Eyeball Jet

Balboa Water Group proudly introduces the latest in our NEW Hydromassage bath jet collection: our **Slimline Flow-Adjustable Directional Eyeball Jet**.

The Slimline Flow-Adjustable directional jet can be considered the middle of the road option between the Micro Jet and Trans-Adjustable Jet. However, the performance is anything but middle of the road! A simple touch on the face of the jet allows you to direct the jet's directional eyeball to provide pin-point relief. As with all the Slimline collection, it has the attractive low profile look and feel.



202310A
Jet Body 1/2" x 1" ID,
Flow-Adjustable



282301
Slimline Metal
Stamp Escutcheon



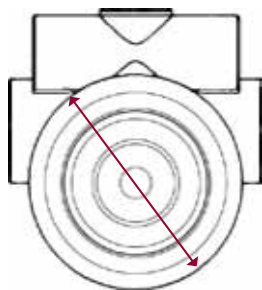
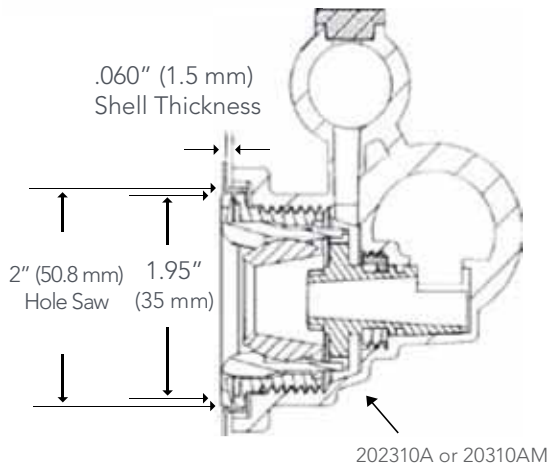
202306-WH
Wall Fitting



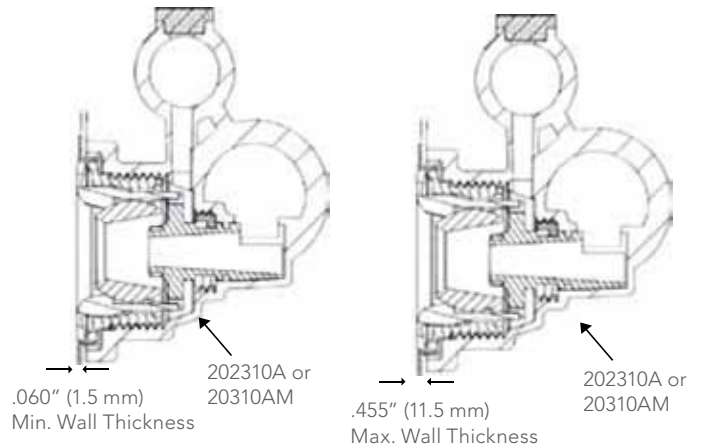
202300-PC
Jet Front Escutcheon
& Clear Eyeball

202310AM
Jet Body 20 x 32 mm ID,
Flow-Adjustable

Size Measurements



Minimum and Maximum Bath Tub Wall Thickness



SLIMLINE® JET COLLECTION

Large Trans-Adjustable Jet

Balboa Water Group proudly introduces the latest in our NEW Hydromassage bath jet collection: our **Slimline Large Trans-Adjustable Jet**.

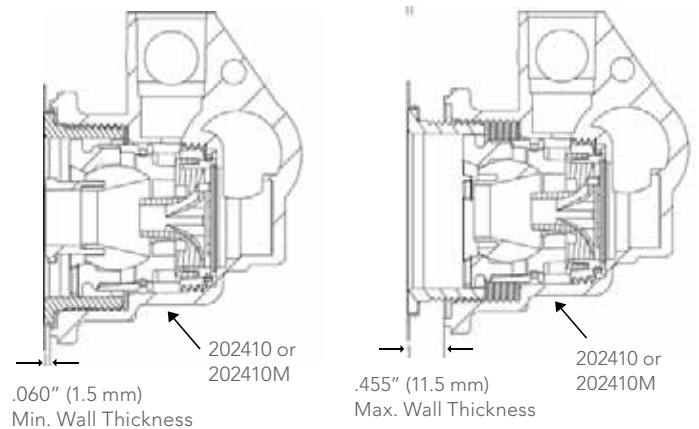
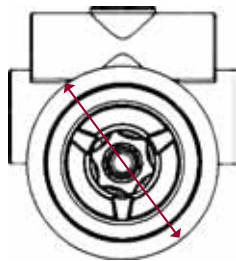
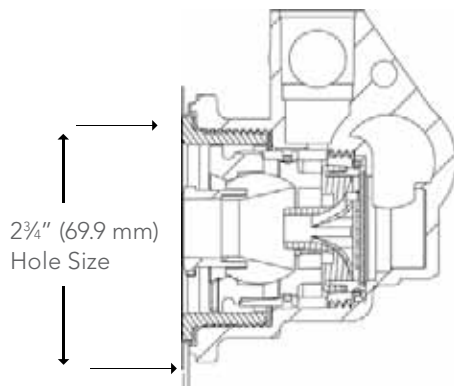
This is the supreme jet of the series! The low profile looks great, feels good to the touch and performs even better. The Trans-Adjustable jet face can be directed at a touch. The twist of the center star grip helps to regulate the flow from a generous flow to a complete stop.



Tools Use: 22556-V

Minimum and Maximum Bath Tub Wall Thickness

Hole Size Measurement



SLIMJETS0910

©2010 Balboa Water Group. Your Single Source Solution. All rights reserved.
1382 Bell Avenue | Tustin, CA 92780 | p 714.384.0382 | www.balboawatergroup.com

BALBOA
water group