



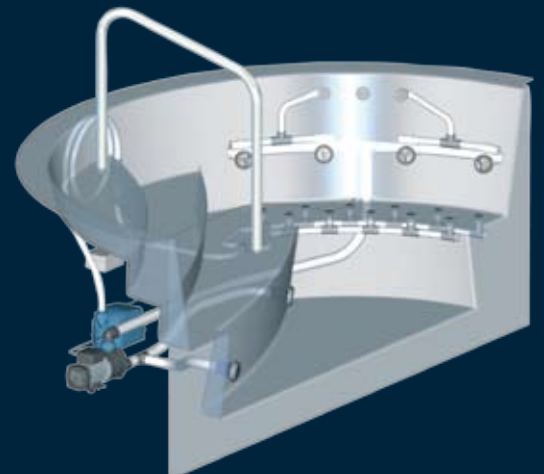
Turn your roman stair into a spa



PoolTherapy Systems

Swimming Pool

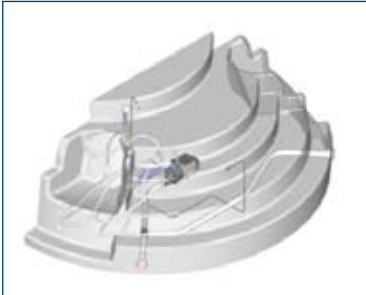
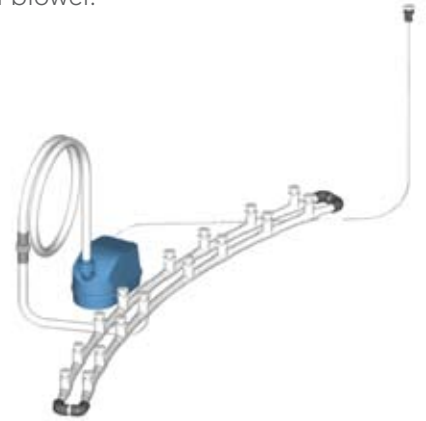
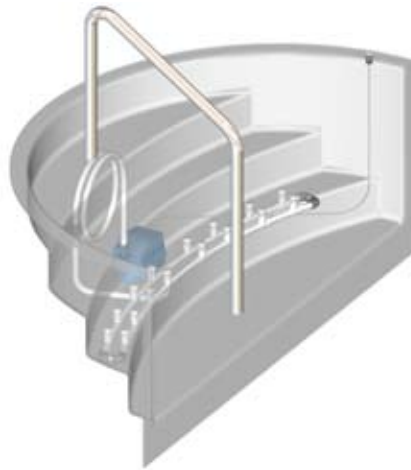
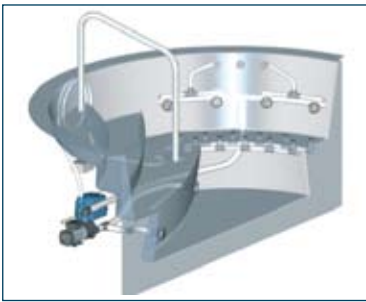
- All visible parts in white plastic
- Offer both basic and more luxurious air and water massage systems
- Pneumatic controlled on/off blower
- Ideal for relaxation and fun
- 16 air jets





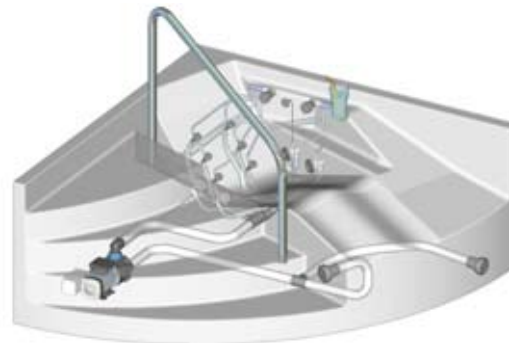
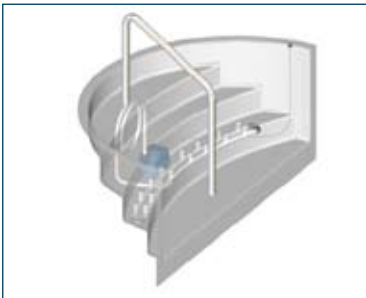
AIR SYSTEM

Ideal for fun and relaxation. Thousands of air bubbles to comfort you in the stair area of your pool! Sixteen air jets with all visible parts in white plastic. Complete your system with a Pneumatic controlled on/off blower.



WATER SYSTEM

A unique body massage seat with 4 big rotating side jets with easy adjustment or shut-down of water flow. Comfortable small back massage jets with 2 directional fronts for fixed massage in either upper neck or lower back area. Four circulating back massage jets that stimulate muscles and skin for the ultimate body massage.



AIR SYSTEM

If you prefer an electronic low voltage on/off touch instead of a pneumatic button to activate the blower, we can offer you our standard Genesis blower, a 1 function electronic control box and low voltage touch (blower G120-2NN-S, control panel 20-0241 and touch 23-3747).

If the air jets are placed on one of the upper stairs, you may be able to reduce the blower to 700 or 900W. You can choose both the pneumatic or the electronic controlled versions with various massage pulsation programmes. See our website www.balboawatergroup.com for further information.

| BLOWER PARTS LIST |
|-------------------------------------|
| 1 X G120-2AN-S 1200W GENESIS BLOWER |
| 1 X 328P22 UNION, 32MM I.D. |
| 1 X 328P23 NUT |
| 2 X 25-10032 SOCKET, 32 X 32MM |
| 1 X 20-0603PC CHECK VALVE, 32MM |

| HOSE PARTS LIST |
|---|
| X MTR. 20-0853 FLEX. HOSE F. PNEUMATIC BUTTON |
| X MTR. 20-08329 FLEX. HOSE, 32MM |

| AIR JET SYSTEM PARTS LIST |
|------------------------------------|
| 16 X 11-9200IMP AIR JET |
| 16 X 20-0712 TEE, 32MM X 1" X 32MM |
| 4 X 25-01032 90° ELBOW, 32 X 32MM |

| PNEUMATIC BUTTONS PARTS LIST |
|---|
| 1 X 21-1043-11 PNEUMATIC AIR BUTTON, CHROME |



Genesis Blower

WATER SYSTEM

You can include a light by upgrading the 1 function electronic control box and touch to a 2 function electronic control box and touch. See our website www.balboawatergroup.com or contact our sales department for further information.

| WATER JETS PARTS LIST |
|--|
| 4 X 56-9290 VSR™ JET |
| 4 X 16-9250 VSR™ ROTATING SET |
| 6 X 30-2663 JET, 90° ELBOW |
| 6 X 10-2606 GASKET F. WALL FITTING |
| 6 X 30-2661 JET BODY |
| 6 X 36-3920 DUO BLASTER WALL FITTING |
| 6 X 16-3927 ESCUTCHEON FOR DUO BLASTER SET |
| 2 X 16-2700R DUO BLASTER RIGHT ROTATING SET |
| 2 X 16-2700L DUO BLASTER LEFT ROTATING SET |
| 2 X 10-2710 DUO BLASTER DIRECTIONAL SET |
| 2 X 11-4454 WATER MANIFOLD, 4 PORT INCL. BARBS |
| 1 X 11-4457 WATER MANIFOLD, 2 PORT INCL. BARBS |
| 1 X 33-4850 REDUCTION |
| 1 X 30-1002IMP PLUG FOR 11-445X, 2" OD |
| 20 X 20-08068 TUBE CLAMP |

| SUCTION PARTS LIST |
|---------------------------------------|
| 2 X 10-6806 HIGH VOLUME SUCTION COVER |
| 2 X 30-6104 SUCTION NUT, STRAIGHT |
| 2 X 30-3801 SUCTION WALL FITTING |
| 2 X 30-3804 GASKET F. 30-3801 |
| 1 X 25-03050 TEE, 50MM |

| ELECTRONIC CONTROL PARTS LIST |
|-------------------------------|
| 1 X 20-0241 ELEC. CONTROL BOX |
| 1 X 23-3039 TOUCH, 1 FUNCTION |

| PUMP CONTROL PARTS LIST |
|--|
| 1 X 21-4617 PERSEUS 460 PUMP |
| 1 X 21-0457 PUMP UNION INCL. 90° ELBOW |
| 1 X 20-0428 PUMP UNION, STRAIGHT |

| AIR CONTROL PARTS LIST |
|------------------------------------|
| 2 X 10-2310 SLIMLINE AIR CONTROL |
| 2 X 31-6200 AIR CONTROL, 90° ELBOW |
| 2 X 11-9115 AIR MANIFOLD, 4 PORT |
| 1 X 11-9114 AIR MANIFOLD, 2 PORT |
| 1 X 31-9118 PLUG FOR AIR MANIFOLD |
| 20 X 20-08038 TUBE CLAMP |

| HOSE PARTS LIST |
|---|
| X MTR. 20-0838 REINFORCED FLEX. TUBE F. AIR & WATER |
| X MTR. 20-0834 REINFORCED FLEX. TUBE F. AIR & WATER |
| X MTR. 20-08509 FLEX. HOSE, 50MM |

AIR & WATER SYSTEM

The on/off system can also be turned into a more sophisticated system with blower speed variation (+/-) and pulsation mode of the blower function (electronic control box 20-0265-0, chip 40-2661-02 and touch 23-3649).

Instead of 1 or 2 Freedom Micro'ssage jets, you can install the Verta'ssage jet as a unique rotating jet.

| WATER JETS PARTS LIST |
|--|
| 4 X 10-FS715T FREEDOM JET BODY |
| 4 X 16-FS00TM FREEDOM MICRO'SSAGE TRIM KIT |

| PUMP PARTS LIST |
|--|
| 1 X 21-4605 PERSEUS 460 PUMP |
| 1 X 21-0457 PUMP UNION INCL. 90° ELBOW |
| 1 X 20-0428 PUMP UNION, STRAIGHT |
| 1 X 25-03050 TEE, 50MM |

| ELECTRONIC CONTROL PARTS LIST |
|------------------------------------|
| 1 X 20-0242 ELECTRONIC CONTROL BOX |
| 1 X 23-3119 TOUCH, 2 FUNCTION |

| BLOWER PARTS LIST |
|-----------------------------------|
| 1 X G90-2NN-S 900W GENESIS BLOWER |
| 1 X 328P22 UNION, 32MM I.D. |
| 1 X 328P23 NUT |
| 2 X 25-10032 SOCKET, 32 X 32MM |
| 1 X 20-0603PC CHECK VALVE, 32MM |

| AIR CONTROL PARTS LIST |
|----------------------------------|
| 2 X 10-2310 SLIMLINE AIR CONTROL |
| 2 X 25-03032 TEE, 32MM |

| AIR JET PARTS LIST |
|-----------------------------------|
| 11 X 11-9200IMP AIR JET |
| 11 X 20-0712 TEE 32MM X 1" X 32MM |

| SUCTION PARTS LIST |
|---------------------------------------|
| 2 X 10-6806 HIGH VOLUME SUCTION COVER |
| 2 X 30-6104 SUCTION NUT, STRAIGHT |
| 2 X 30-3801 SUCTION WALL FITTING |
| 2 X 30-3804 GASKET F. 30-3801 |
| 1 X 25-03050 TEE, 50MM |

| HOSE PARTS LIST |
|----------------------------------|
| X MTR. 20-08329 FLEX. HOSE, 32MM |
| X MTR. 20-08509 FLEX. HOSE, 50MM |

WATER SYSTEM

Water jets, air control, suction cover and touch are in white. The jet fronts are also available in grey. Furthermore see our grey 5-point scallop design and our new jet fronts with metal trim.

You can include a light by upgrading the 1 function electronic control box and touch to a 2 function electronic control box and touch.

| WATER JETS PARTS LIST |
|--|
| 1 X 56-9290 VSR™ JET |
| 1 X 16-9250 VSR™ ROTATING SET |
| 6 X 30-2661 JET BODY |
| 6 X 30-2662 WALL FITTING |
| 6 X 30-2663 JET, 90° ELBOW |
| 6 X 10-2606 GASKET FOR WALL FITTING |
| 1 X 11-4454 WATER MANIFOLD, 4 PORT INCL. BARBS |
| 1 X 11-4457 WATER MANIFOLD, 2 PORT INCL. BARBS |
| 1 X 31-4455 WATER MANIFOLD, 2 PORT EXCL. BARBS |
| 1 X 10-4578 3/4" BARB FOR WATER MANIFOLD 31-445X |
| 1 X 31-4453 3/4 PLUG FOR WATER MANIFOLD 31-445X |
| 1 X 33-4850 REDUCTION |
| 1 X 30-1002IMP PLUG FOR 11-445X, 2" OD |
| 14 X 20-08068 TUBE CLAMP |

| AIR CONTROL PARTS LIST |
|------------------------------------|
| 1 X 10-2100 STANDARD AIR CONTROL |
| 1 X 31-6200 AIR CONTROL, 90° ELBOW |
| 2 X 11-9115 AIR MANIFOLD, 4 PORT |
| 1 X 31-9118 PLUG FOR AIR MANIFOLD |
| 14 X 20-08038 TUBE CLAMP |

| PUMP PARTS LIST |
|--|
| 1 X 21-4617 PERSEUS 460 PUMP |
| 1 X 21-0457 PUMP UNION INCL. 90° ELBOW |
| 1 X 21-0455 PUMP UNION, TEE 32MM |

| ELECTRONIC CONTROL PARTS LIST |
|-------------------------------|
| 1 X 20-0241 ELEC. CONTROL BOX |
| 1 X 23-3039 TOUCH, 1 FUNCTION |

| SUCTION PARTS LIST |
|---------------------------------------|
| 2 X 10-6806 HIGH VOLUME SUCTION COVER |
| 2 X 30-6104 SUCTION NUT, STRAIGHT |
| 2 X 30-3801 SUCTION WALL FITTING |
| 2 X 30-3804 GASKET F. 30-3801 |
| 1 X 25-03050 TEE, 50MM |

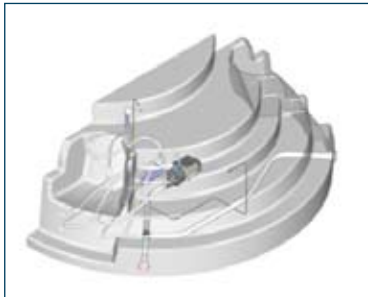
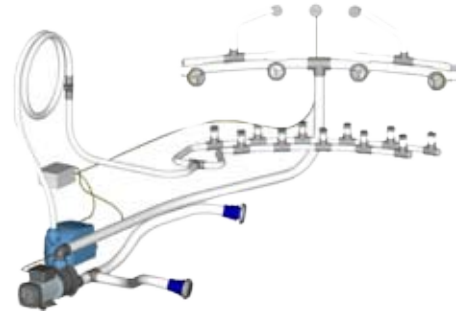
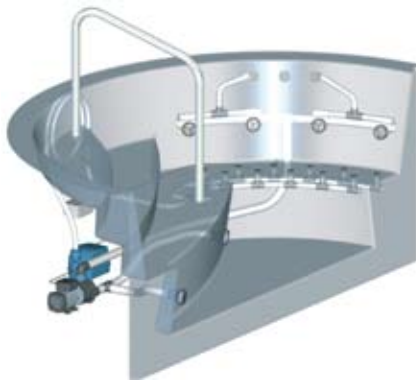
| HOSE PARTS LIST |
|---|
| X MTR. 20-0838 REINFORCED FLEX. TUBE F. AIR & WATER |
| X MTR. 20-0834 REINFORCED FLEX. TUBE F. AIR & WATER |
| X MTR. 20-08509 FLEX. HOSE, 50MM |

Water & Air System



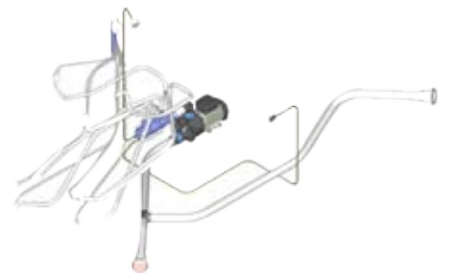
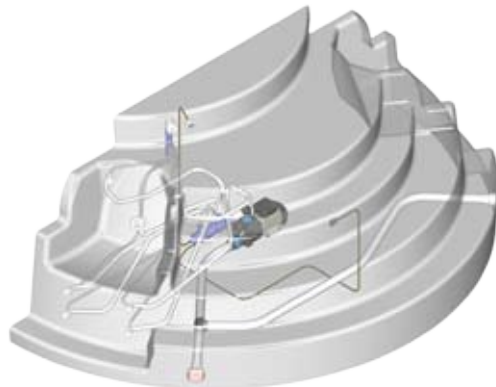
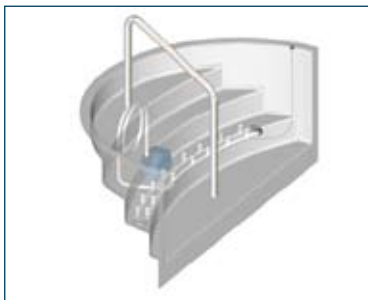
WATER & AIR SYSTEM

Lean back and enjoy a comfortable air massage from the seat area on the pool stairs complete with an integrated massage bench. Enjoy the rotating jets for intensive back massage with the possibility to add air via air controls.



WATER SYSTEM

A gentle back massage with a rotating VSR™ jet with built-in handle to adjust or close waterflow for a relaxing water massage. Enjoy a sparkling mixture of air from the air controls. Built with two small jets to loosen muscles in the neck area and four small jets for efficient massage of legs and feet.





1. The majority of HydroAir control panels shut down the system after 30 min. for safety reasons.
2. The water depth can have an impact on the venturi effect of water jets.
3. Protect touches, pneumatic buttons, air controls etc. on the rim of the pool from sunlight and damage.
4. The blowers are recommended for residential pools only. They are not designed for continuous running.
5. To avoid water flowing back into the blower, always install a double air loop and check valve on the water side of the air loop so that the piping is above the water level not once, but twice. For safety reasons the blower is not to be mounted directly on the floor.
6. Water depth is an important factor when dimensioning size of air blower. The back pressure caused by deep water and reduced or angled pipes must be taken into consideration. Test is the ultimate success factor.

Note: Depending on the specific massage application the length of the flexible hoses and number of necessary standard fittings may vary. The drawings are principle drawings only. The systems must be modified to suit the specific needs of the spa in question.

