

Relax - you've bought
a Balboa...



The Balboa

Powerful. Compact. Proven Reliability

- AU and NZ Certification
- Self-draining Volute
- Ultra Quiet Operation And Compact Design
- 2.7, 4.1, 4.3 Amperage Export International
- European Plug, Australian Plug Or Bare Leads

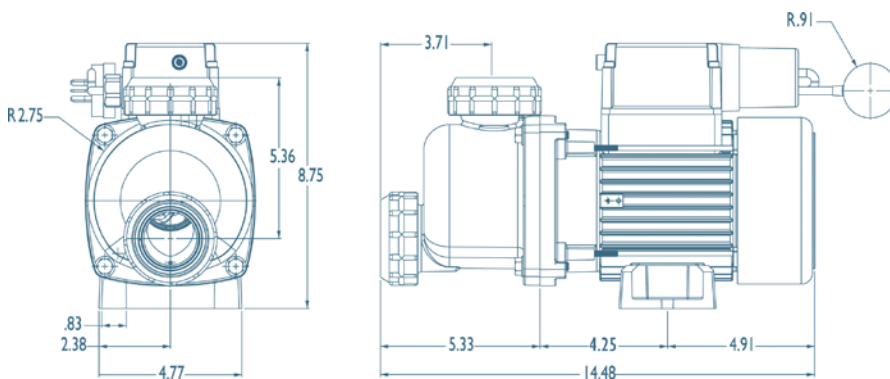


BALBOA
water group

BalboaBathPump

Onga Spa and Bath products have been acquired by Balboa Water Group ("BWG") in December of 2008. Onga is one of the best known brands in its field, with a strong international reputation for reliability, value, technological innovation and service in over 80 countries. BWG, the leading manufacturer of spa and bath products in the world, is now the proud manufacturer of these products.

The Balboa (formerly Onga) pumps are the quietest in the industry. They offer maximum energy efficiency for lower operating costs, as well as no water retention for perfect hygiene, water resistant enclosures, and multiple levels of safety for your peace of mind.



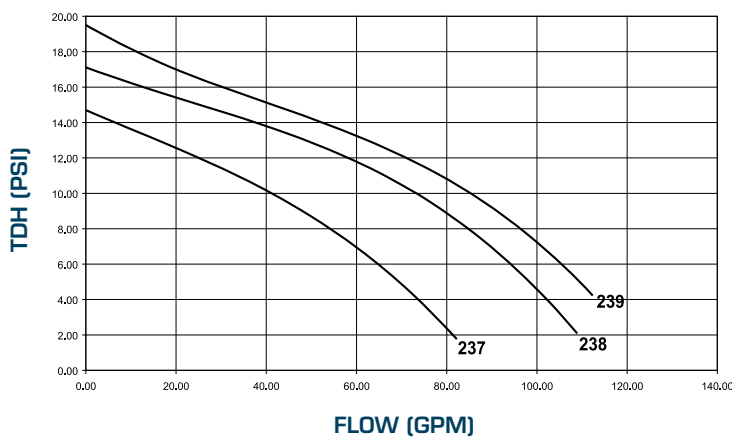
FEATURES

- 230 Voltage
- Very efficient motor
- Self-Draining Volute
- TEFC IPX5 Design
- AU / NZ Certification
- Quiet operation

OPTIONS

- Frequency of 50Hz or 60Hz
- European plug, Australian plug or Bare leads

50Hz PERFORMANCE CURVE Export International Model



Plumbing configuration effects pump performance. Engineering consultation is available to find the best pump for all your bath needs.