



Soak LUXURIOUSLY



AirBlower

Silenced Air Blower

- Complete with a light gray cover
- 3 motor choices: 960w, 1020w, 1125w
- 3 speed blower
- Small and compact
- Easy to install and service



BALBOA
water group

SpaBlower | Features and Benefits

NUMBER	PART NUMBER	DESCRIPTION
1	1100508	Light gray cover
1	8100008	E Series Blower Case Top
2	1320100	Motor: 960w (1320100), 1020w (1320200), 1125w (1320300)
3	1534293	P.C.B. Blower Air Switch
3	1531490	P.C.B. Blower 3 Speed
4	1311800	Micro Switch
5	1101390	Micro Switch Holder (Air Sensor Assembly)
6	1321100	Brushes (set of 2)
7	1321800	3.5 Amp Field Coil
7	1321900	5 Amp Field Coil
7	1322000	7 Amp Field Coil
8	1321300	Armature (960w)
8	1321400	Armature (1020w)
8	1321500	Armature (1125w)
9	1320600	Armature Saddle c/w Bearings (960w)
9	1320700	Armature Saddle c/w Bearings (1020w)
9	1320800	Armature Saddle c/w Bearings (1125w)
1	1321200	Bearing (not shown)
1	1100700	Motor Housing Black
1	1043300	Check valve (40mm - 50mm)
1	1100608	Cowl Dark Grey
1	8100108	E Series Blower Case Bottom
	1333500	Plug and Cord

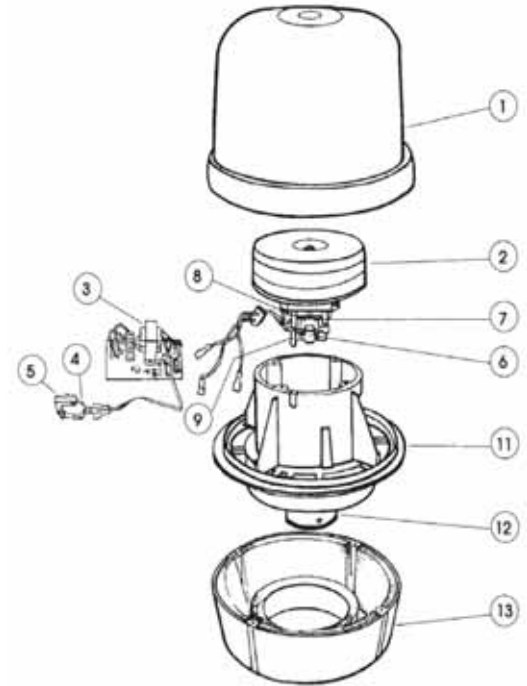
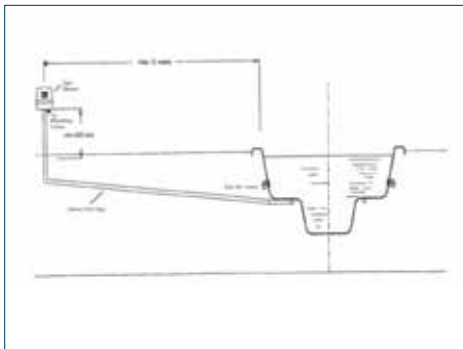
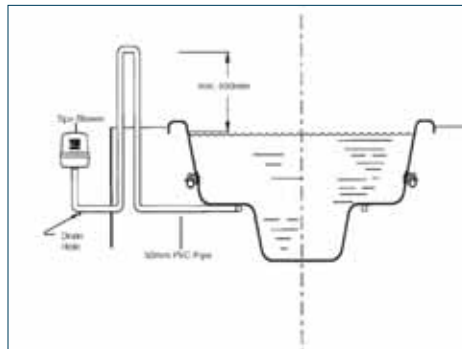


DIAGRAM 1



Run 50mm pvc pipe line from spa manifold outlet to spa blower position (maximum operating distance of 12 metres), ensuring that the 50mm pipe line has a minimum fall of 1:10 back to the spa, allowing the pipe line to have minimum water lying in the pipe. (DIAGRAM 1)

DIAGRAM 2



If the spa blower is to be mounted below water level, extend the air loop 600mm above the maximum water level and return back to the spa blower. Drill a bleed hole after loop to remove any condensation. (DIAGRAM 2)

DIAGRAM 3



DO NOT create a water trap in the blower supply pipe (DIAGRAM 3), as the water lying in the pipe will create additional back pressure on the spa blower. Mount the spa blower according to the instructions.

BLOWER0809

©2009 Balboa Water Group. All rights reserved. Your Single Source Solution.
1382 Bell Avenue | Tustin, CA 92780 | p 714.384.0384 | www.balboawater.com

BALBOA
water group