



RelaxLuxuriously



PerseusBlower

A Compact Blower for Whirlpool and Spa

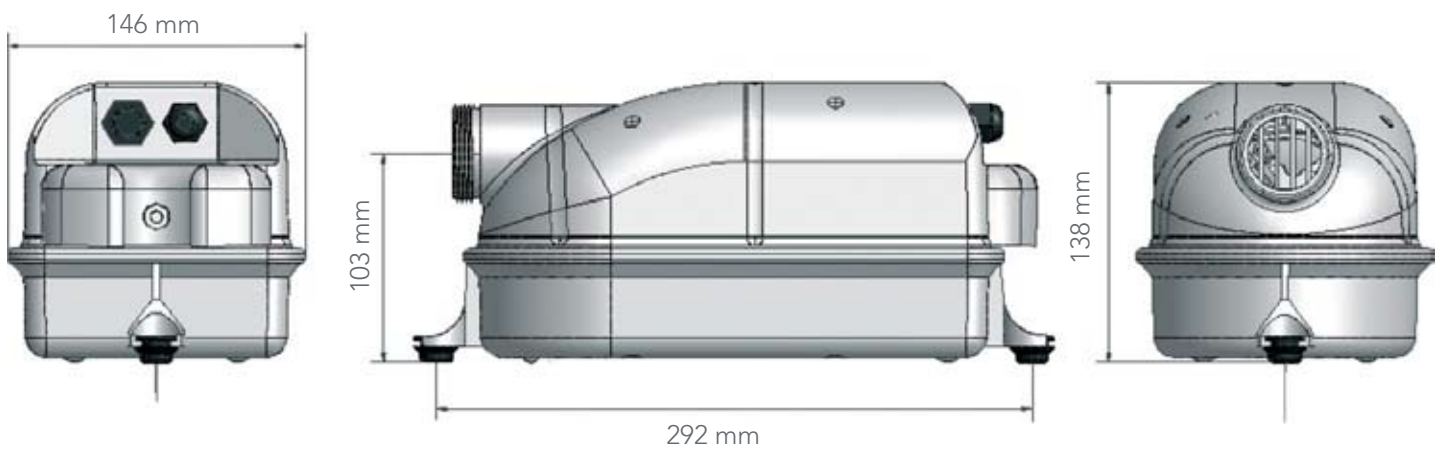
- Small building size
- Unique performance
- Ozone solution
- Easy access to mounting points
- Easy installation



BALBOA
water group

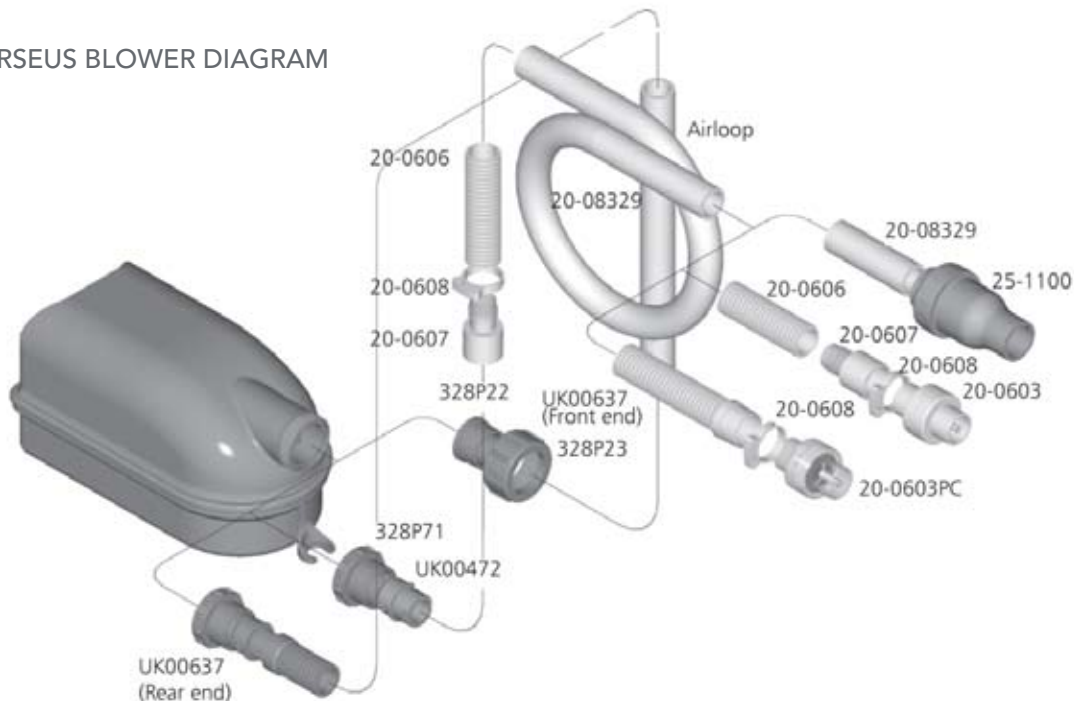
CompactBlower

An excellent combination of compact design and brilliant performance has been developed into this new series of whirlpool blowers. The blower is designed to fit compact whirlpool systems where space is limited. Along with easy installation, the union and positioning of the mounting points ensure both quick and flexible installation. Power Options 360, 425, 560 and 760W, with voltage requirements 230V, 50Hz, class II. Excellent Performance. The newly introduced 360 & 425W are designed to fit the majority of small to medium sized on/off whirlpool systems. The 560 and 760W models offer excellent flow and are ideal for variable speed, deep water, complex whirlpool systems and can be recommended for small to medium sized spa systems and other massage systems where performance is the key feature. Additionally, add ozone to your preferred blower. Accessories include complete air jet systems, metric and imperial unions and flexible air hoses. The Perseus range is approved according to European norms.



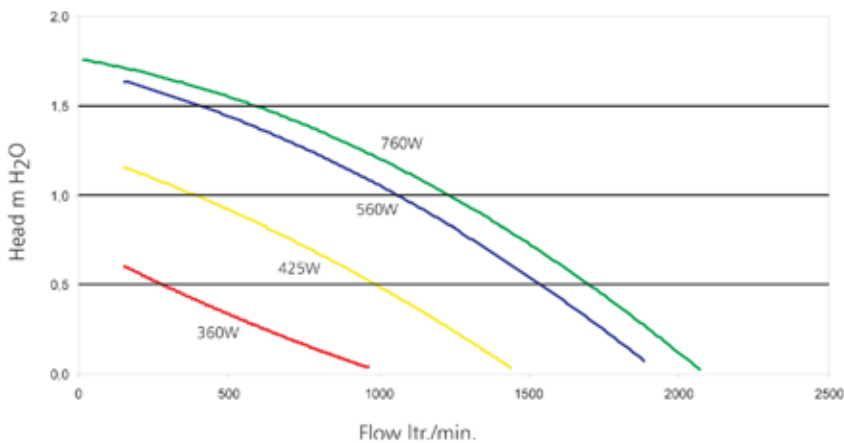
All Measurements in mm.

PERSEUS BLOWER DIAGRAM



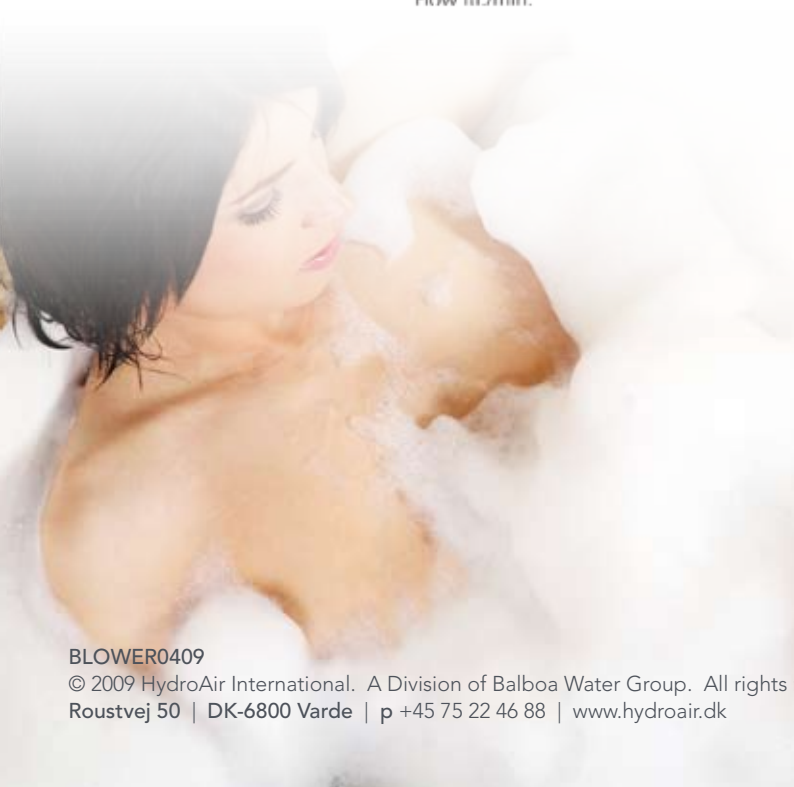
Model Overview

360W				
PART NUMBER	MOTOR W	HEATER W	TOTAL W	PNEU.
22-60409	360	–	360	–
22-60419	360	–	360	X
22-60429	360	180	540	–
22-604219	360	180	540	X
560W				
22-6040	560	–	560	–
22-6041	560	–	560	X
22-6042	560	250	810	–
22-60421	560	250	810	X
425W				
22-60405	425	–	425	–
22-60415	425	–	425	X
22-60425	425	250	675	–
22-604215	425	250	675	X
760W				
22-6060	760	–	760	–
22-6061	760	–	760	X
22-6062	760	250	1010	–
22-60621	760	250	1010	X



TIPS AND SAFETY GUIDELINES

All models with total effect of 560W or above (not air switch models) can run with variable speed. If used with our 500 digital and 1500 electronic systems, the 560W can run at variable speed with the same performance as the 360 and 425W blowers by use of special programming. Massage mode is also possible. (The 360 and 425W models cannot run at variable speed). To avoid backwash of water into the blower, always install a double airloop and check valve on the water side of the airloop, so that the piping is above water level twice. The blower is not to be mounted directly on the floor for safety reasons.



BLOWER0409

© 2009 HydroAir International. A Division of Balboa Water Group. All rights reserved.
Roustvej 50 | DK-6800 Varde | p +45 75 22 46 88 | www.hydroair.dk

