

Go ahead, indulge



GenesisULBlower

The Ideal Whirlpool Blower

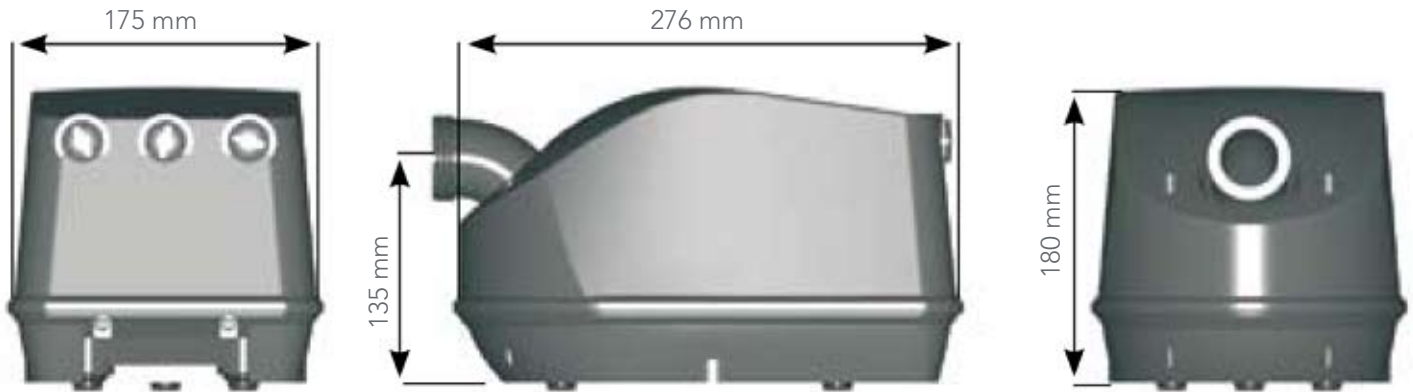
- Modern design
- Unique performance
- Complete with massage mode "pulsating effect"
- Heater Option
- Variable speed control option



BALBOA
water group

WhirlpoolBlower

A unique combination of standard of standard and sophisticated features. The Genesis UL Blower is developed with a focus on design and function with continuous improvement. Enhanced with an excellent performance level, whisper quiet, multiple features and reliability. The extensive Genesis range enables you to find the ideal blower for your needs. Complete with power Options 500W and 700W, with voltage Options 120V, 60Hz.



Measurements apply to all models.

FeaturesOptions

FEATURES	
NNE	Standard blower for electronic control/touch pad.
ANE	Pneumatic air switch. Pneumatic on/off blower
NHE	Heater. Standard blower for electronic control/touch pad with built-in heating element to reduce cold air in upstart.
AHE	Pneumatic air switch & heater. Pneumatic on/off blower with built-in heating to reduce cold air in upstart.
ANT*	Pneumatic air switch & 3-speed. Pneumatic on/off blower including massage mode, automatic dry-out when using standard pneumatic air switch. See functional description under "AHT".
AHT*	Pneumatic air switch, 3-speed & heater. Pneumatic on/off blower including massage mode, automatic dry-out when using standard pneumatic air switch. With built-in heating element to reduce cold air in upstart. Functional description for preset programme: 1. Press the pneumatic button = high speed. 2. Press the pneumatic button = medium speed. 3. Press the pneumatic button = low speed. 4. Press the pneumatic button = massage mode "pulsating effect". 5. Press the pneumatic button = off. Automatic stop: blower stops 30 min. after the user has operated one of the buttons for the last time. Drying cycle: 30 min. after manual or auto switch off, the blower starts up at high speed for 2 secs. It then drops to low speed and increases gradually to high speed within 30 sec. The blower will then continue running 4½ min. at high speed to drain remaining water from the pipes.
* The preset programme can be changed via jumpers inside the blower to change order of functions or to eliminate the drying cycle. Request manual for detailed information.	

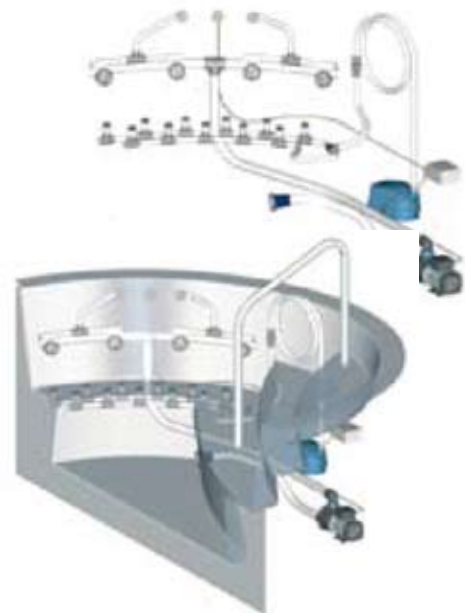
POWER OPTION		PACKING OPTION
50	500W	S = SINGLE PACKED
70	700W	B = BULK PACKED
VOLTAGE OPTIONS		SPECIAL APPROVALS
1	120V, 60HZ	UL = UL RECOGNIZED

Model Overview

500W				
PART NUMBER	MOTOR W	HEATER W	TOTAL W	PNEU.
GB50-1ANE-S-UL	500	–	500	X
GB50-1AHE-S-UL	500	250	750	X
GB50-1ANT-S-UL	500	–	500	X
GB50-1AHT-S-UL	500	250	750	X
GB50-1NHE-S-UL	500	250	750	–
GB50-1NNE-S-UL	500	–	500	–

700W				
PART NUMBER	MOTOR W	HEATER W	TOTAL W	PNEU.
GB70-1ANE-S-UL	700	–	700	X
GB70-1AHE-S-UL	700	250	950	X
GB70-1ANT-S-UL	700	–	700	X
GB70-1AHT-S-UL	700	250	950	X
GB70-1NHE-S-UL	700	250	950	–
GB70-1NNE-S-UL	700	–	700	–

Thinking Systematically

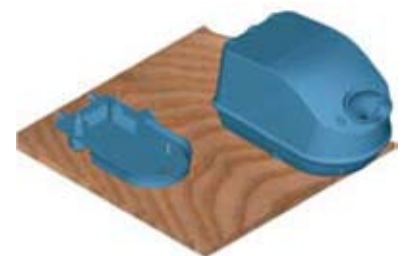


We can offer you complete air jet systems, electronics, lights and disinfection for whirlpools and spas.

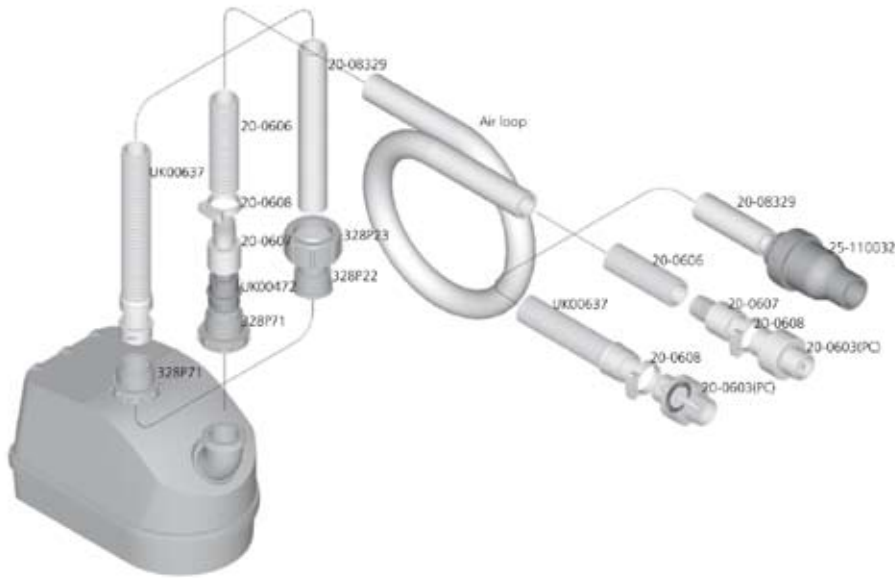
Use the Genesis blower range for massage areas in spas and swimming pools.

EASY INSTALLATION

Open the bottom of the blower by loosening the two screws at the back. Mount the bottom part of the blower onto the "mounting frame" with screws through the rubber feet. Position the blower body onto the bottom part and tighten the screws. The uni-directional port enables you to install the Genesis blower where space is limited.



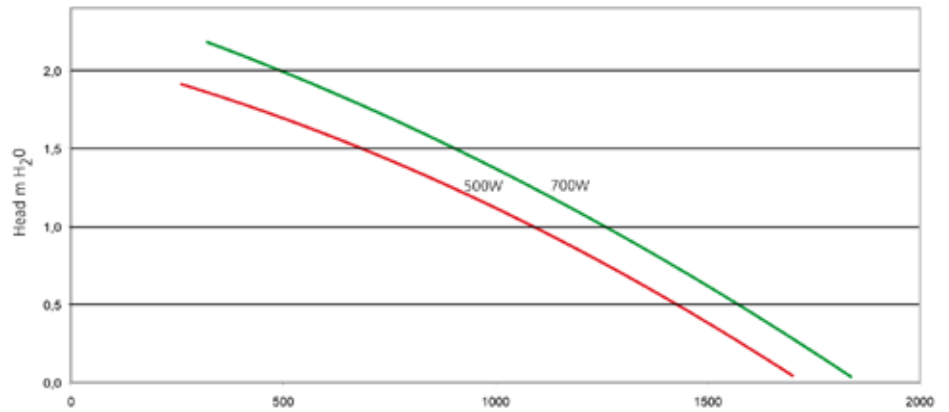
ConnectionSystem



SAFETY GUIDELINES

To avoid back-wash of water into the blower, always install a double airloop and check valve on the water side of the airloop, so that the piping is above water level twice. The blower is not to be mounted directly on the floor for safety reasons.

PerformanceCurve



BLOWER0409

© 2009 HydroAir International. A Division of Balboa Water Group. All rights reserved.
Roustvej 50 | DK-6800 Varde | p +45 75 22 46 88 | www.hydroair.dk

